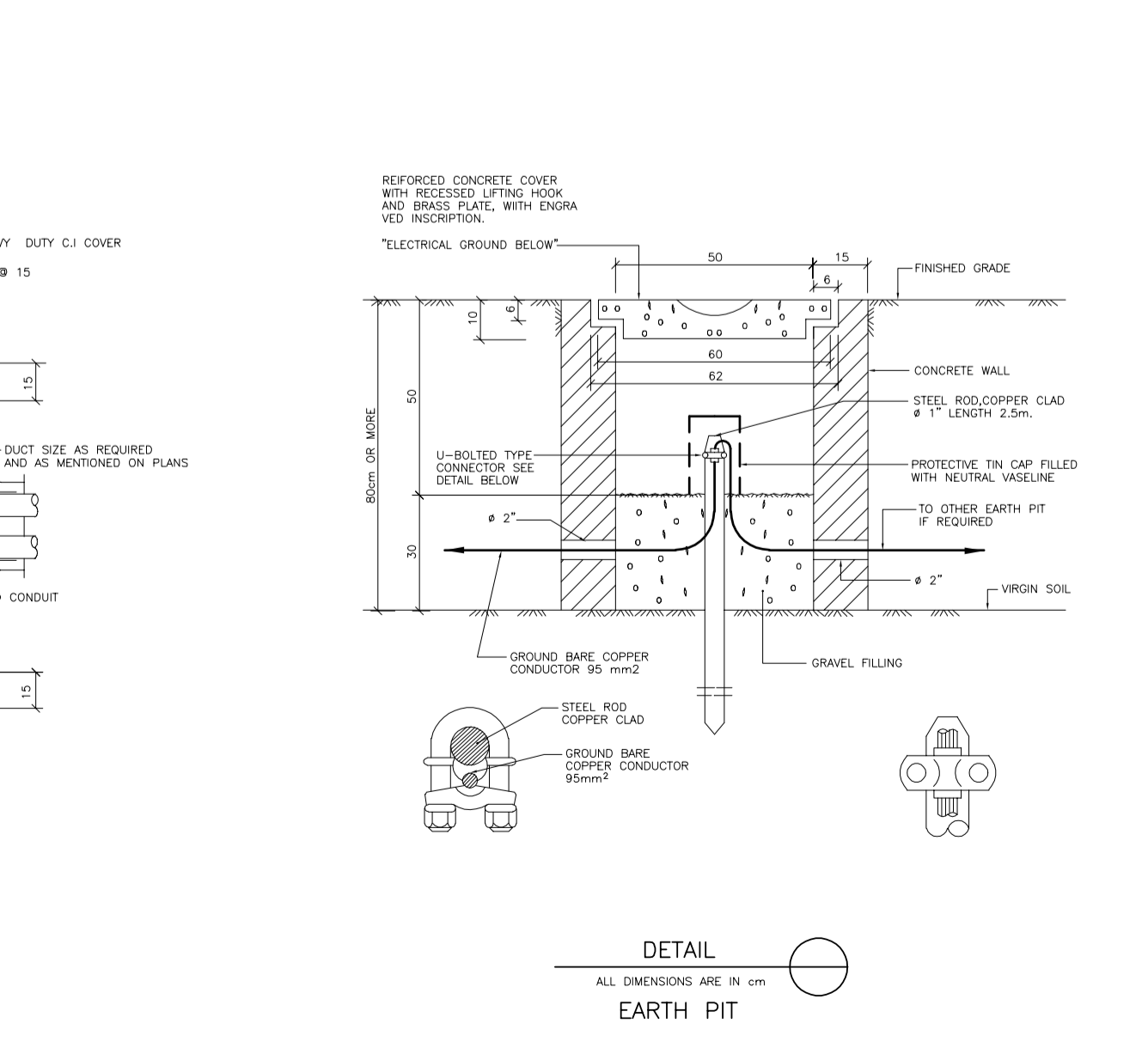
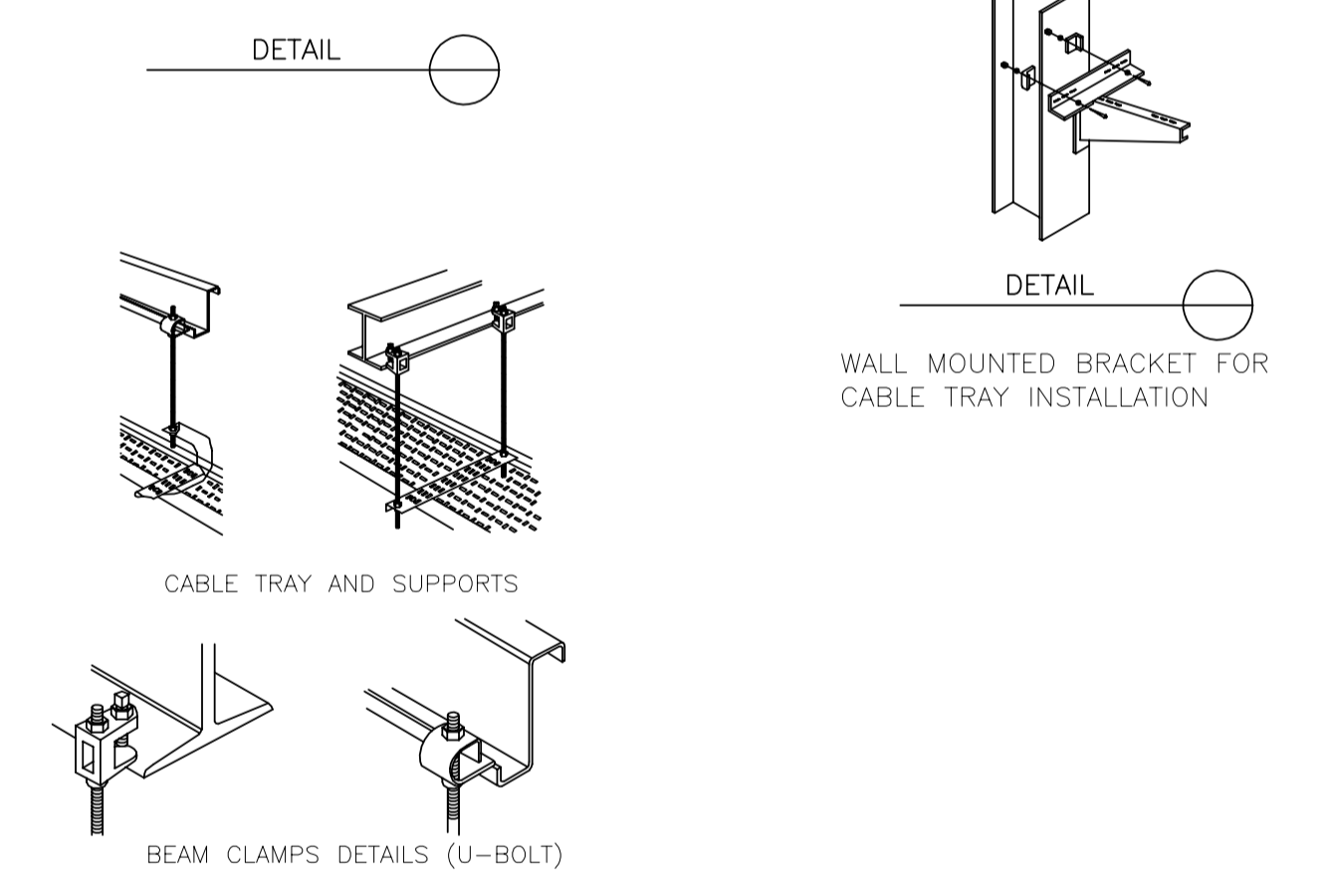
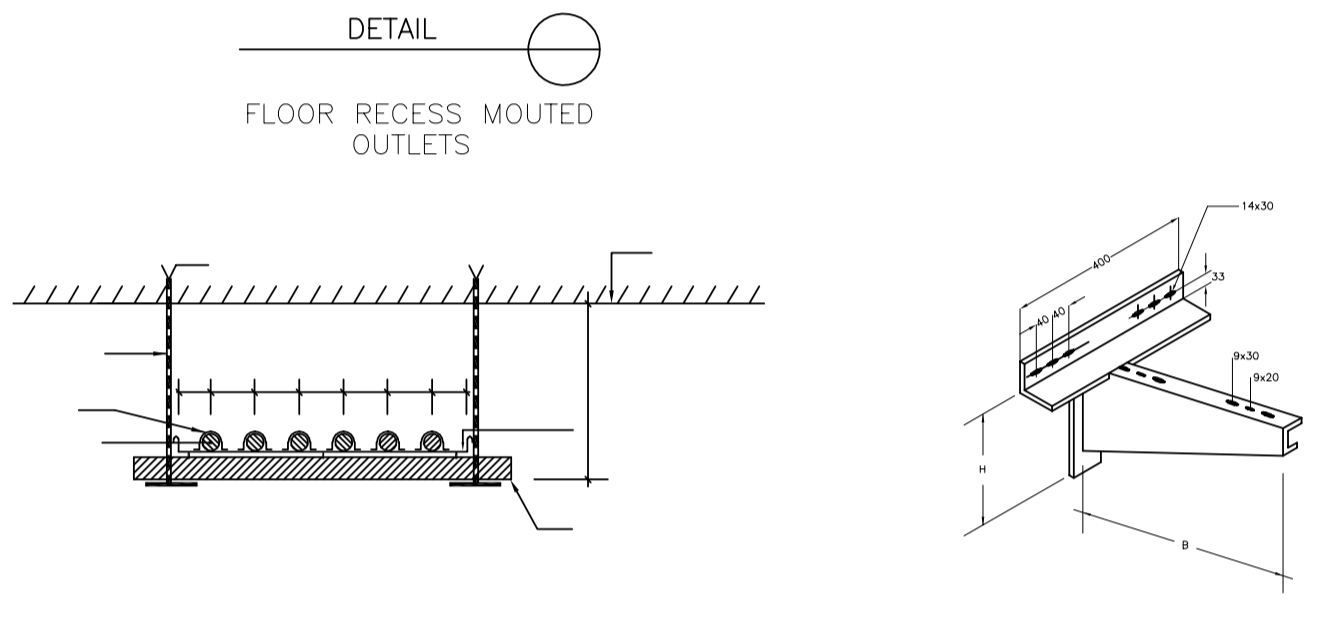
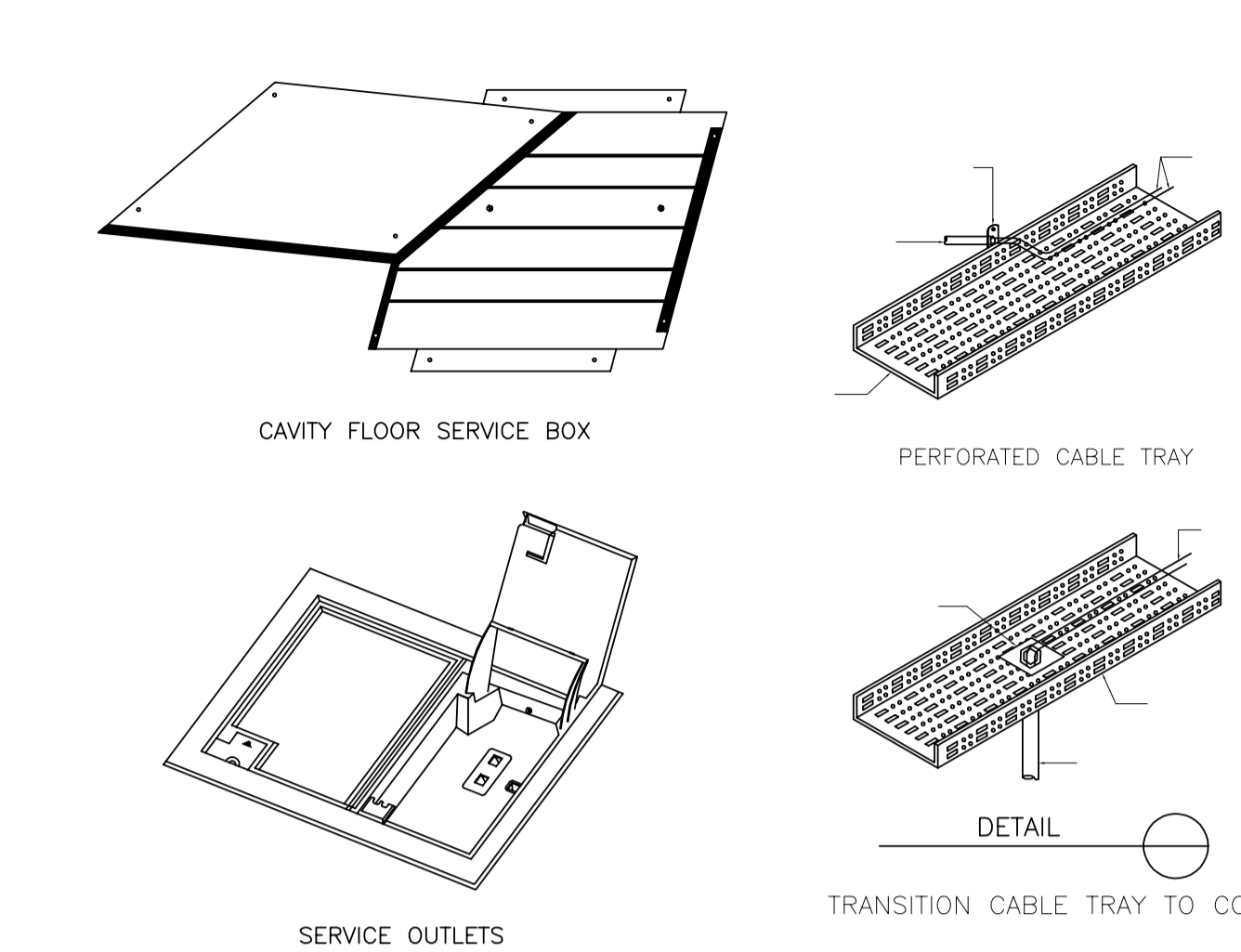
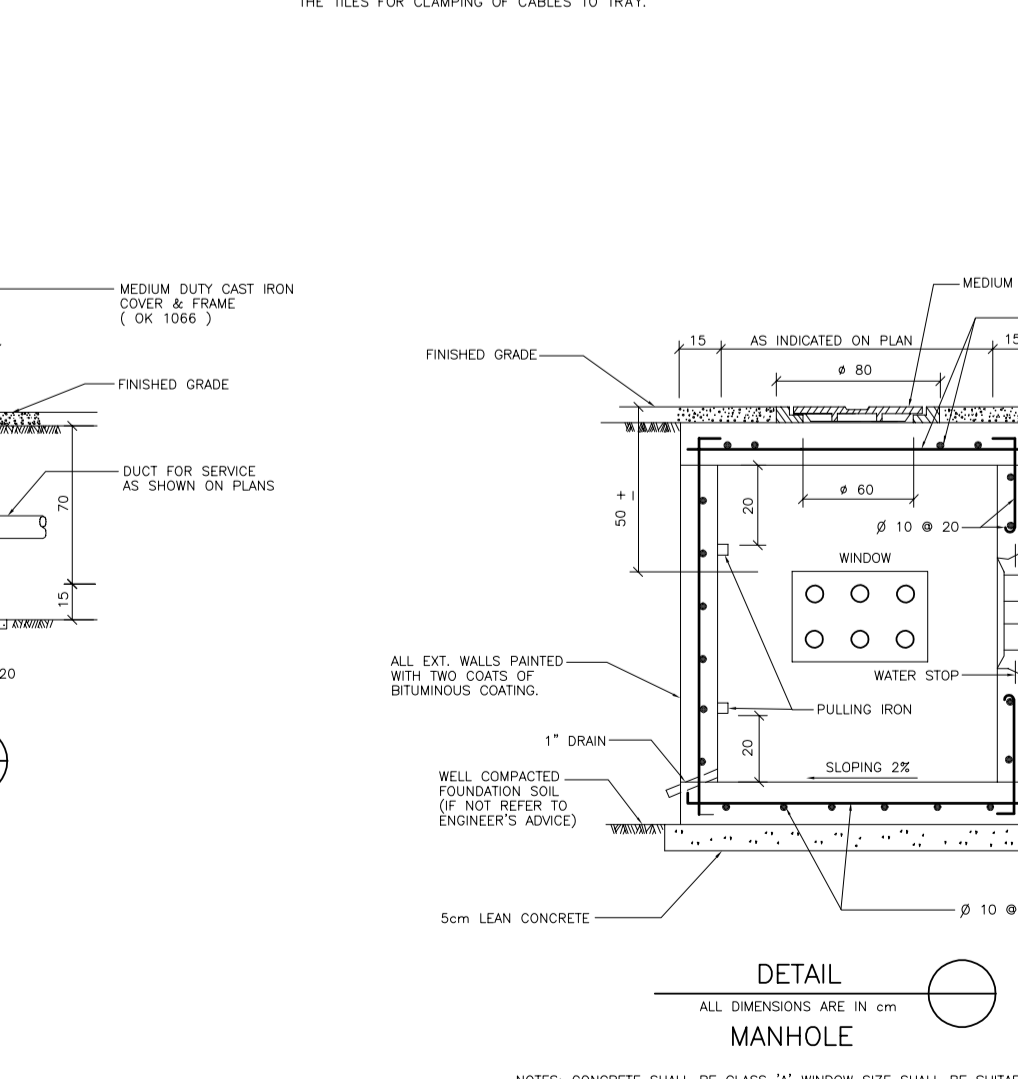
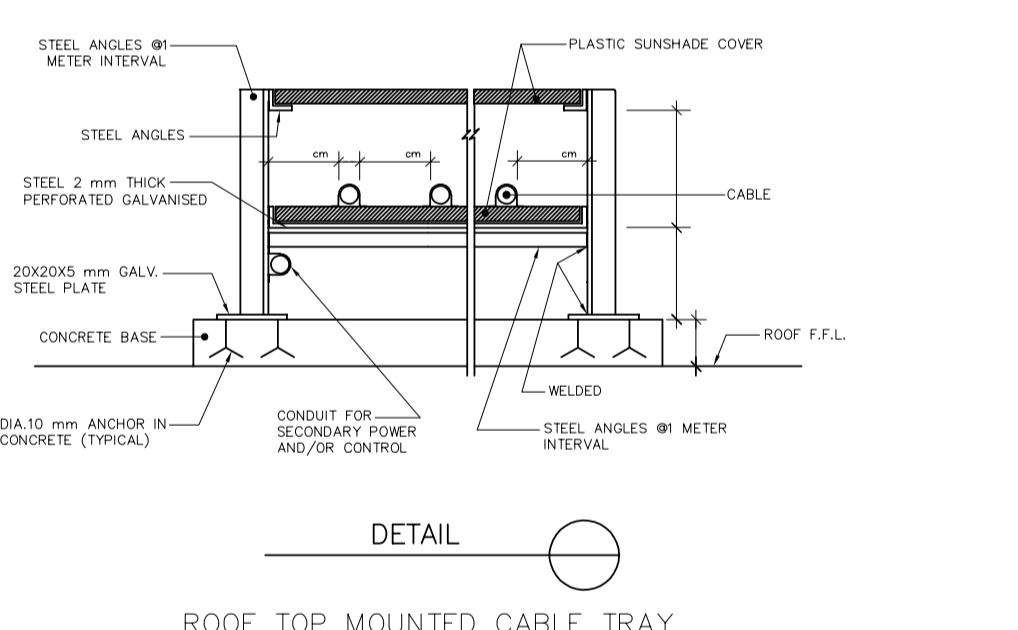
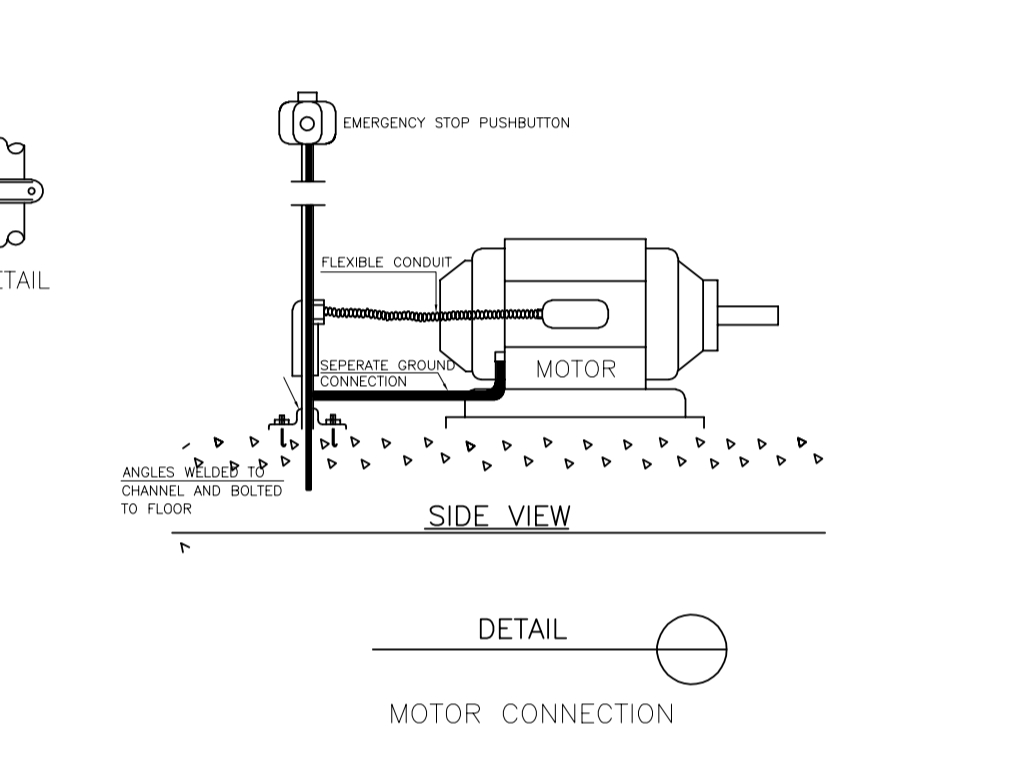
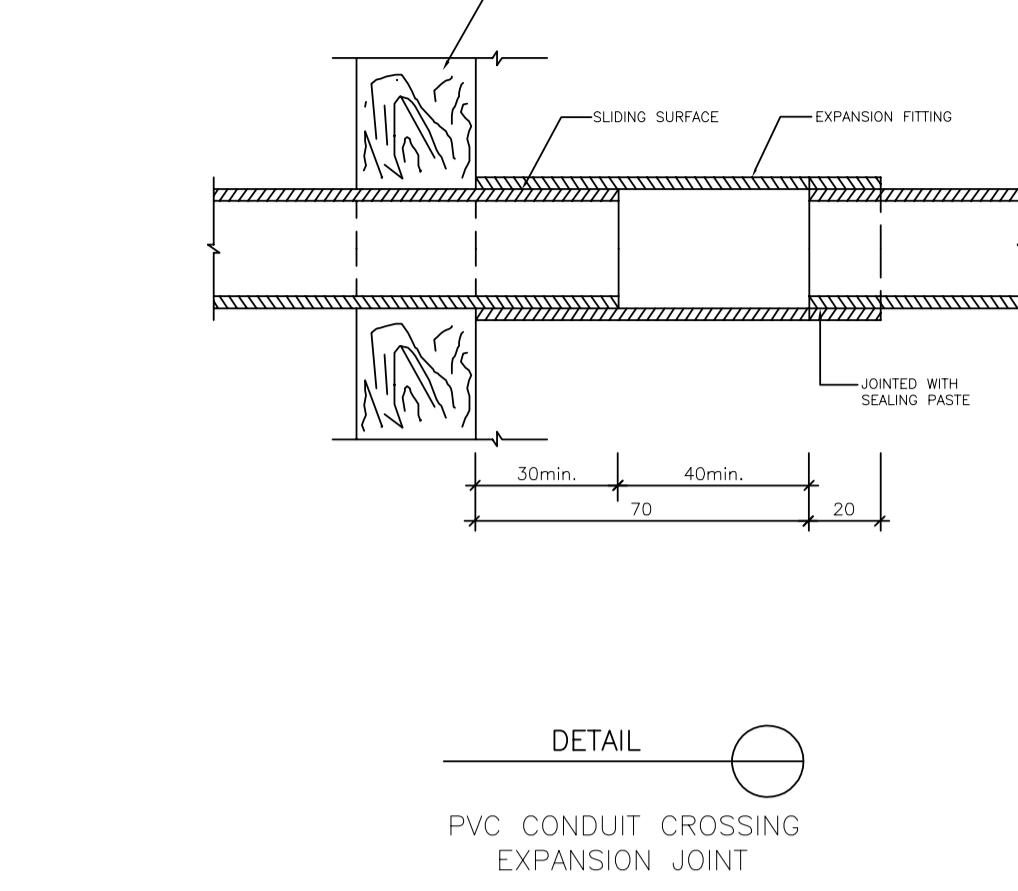
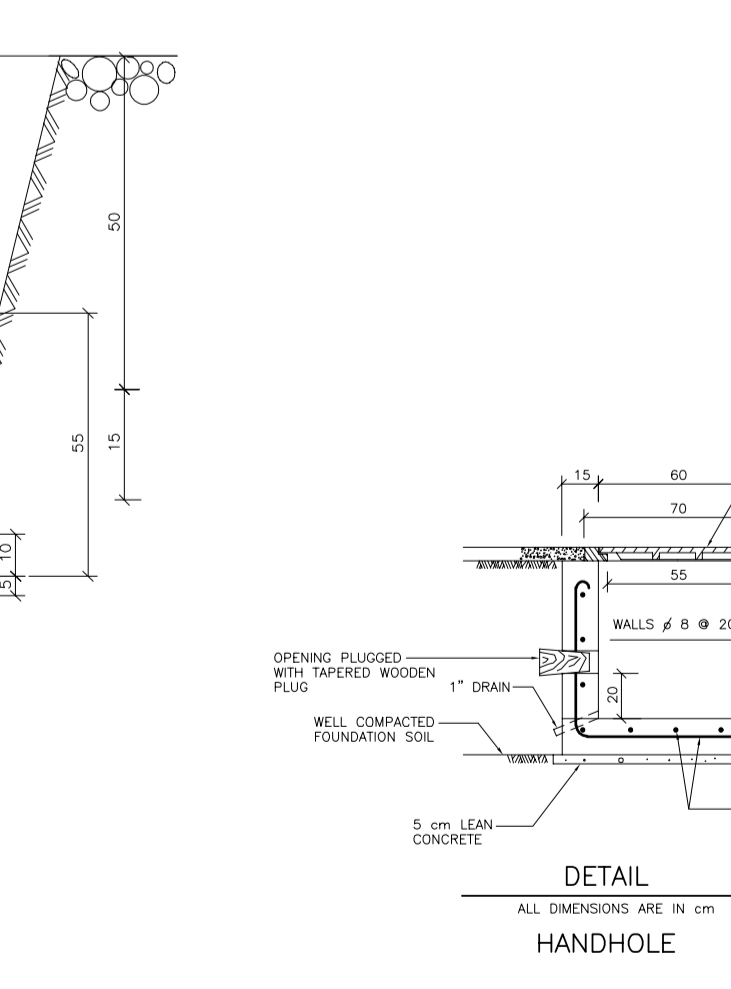
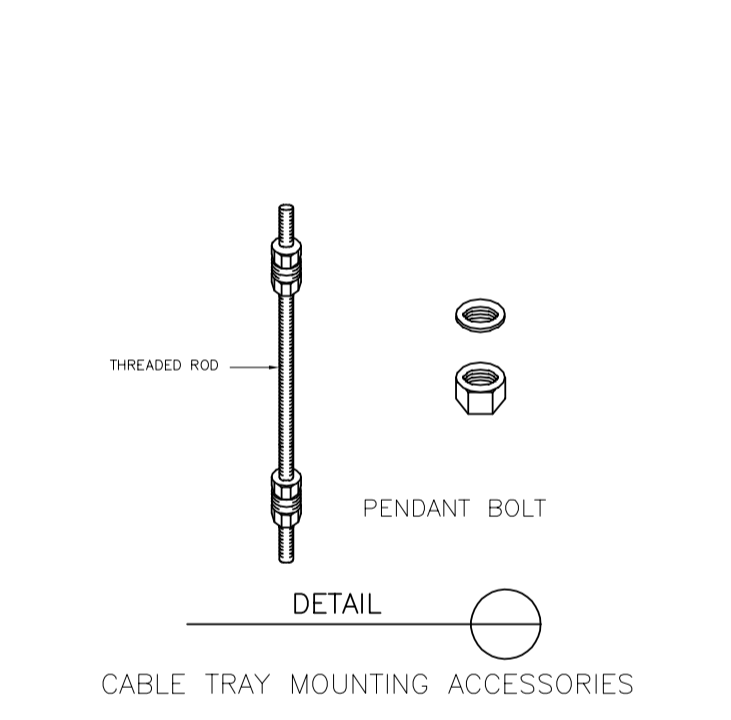
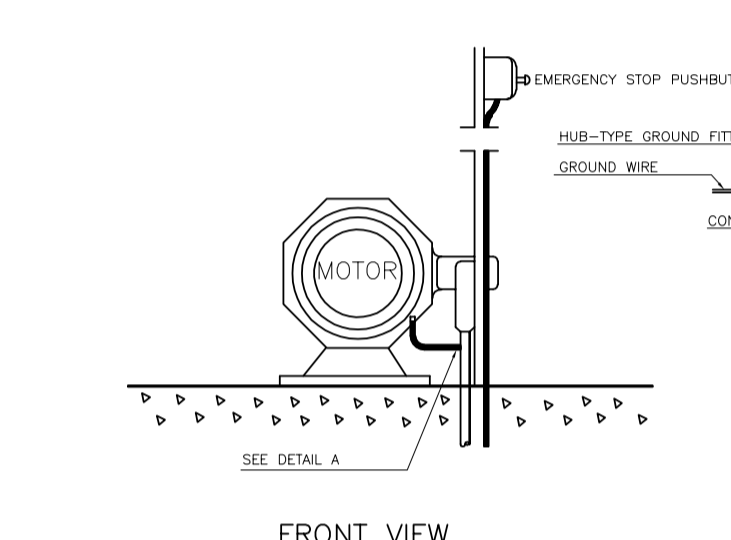
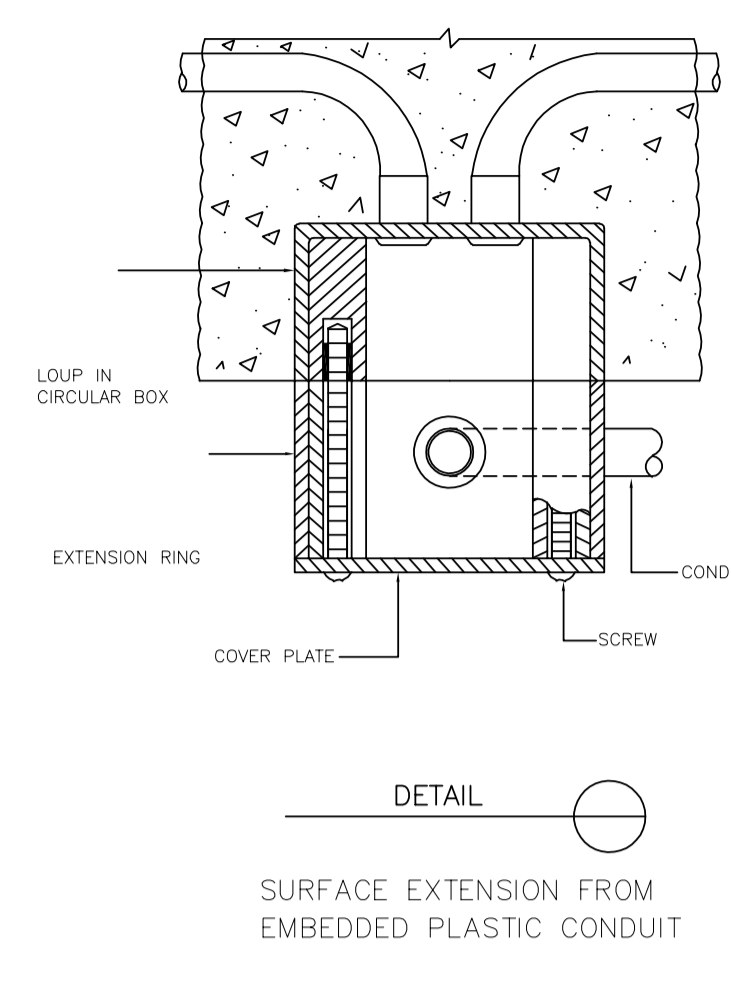
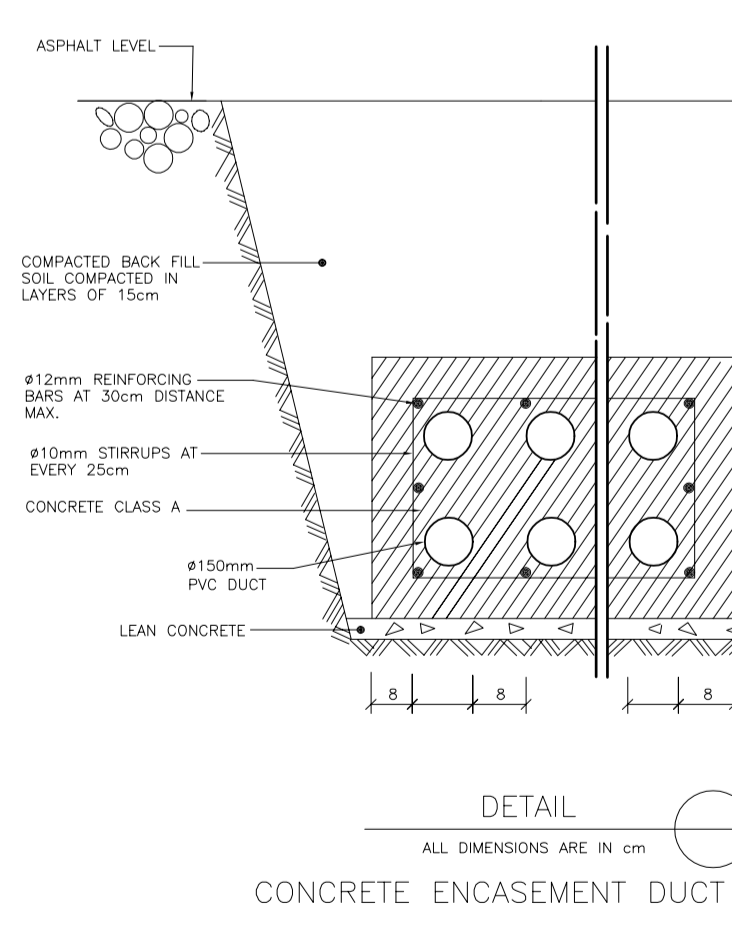
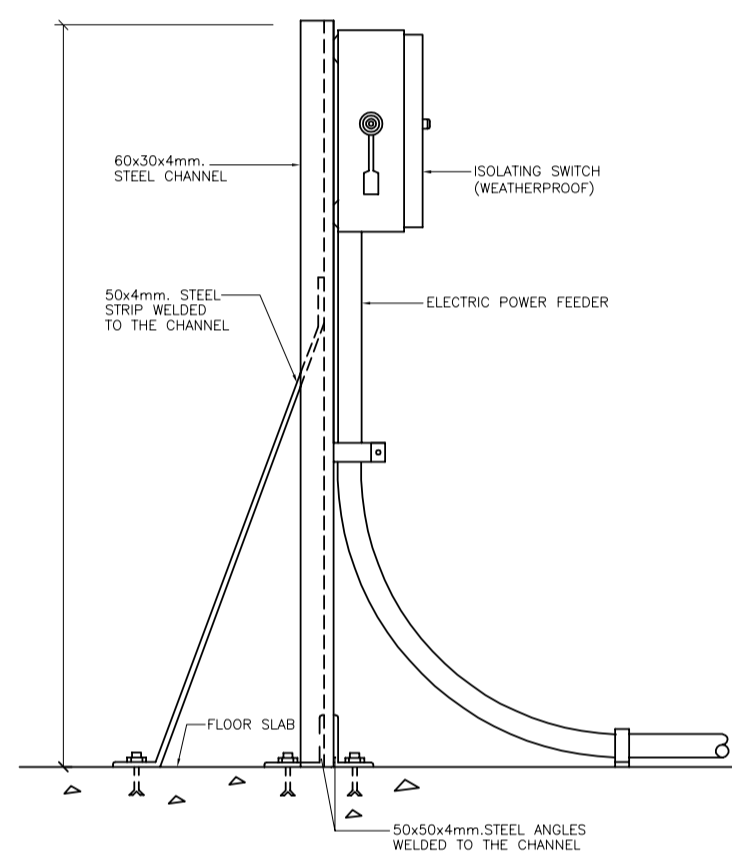
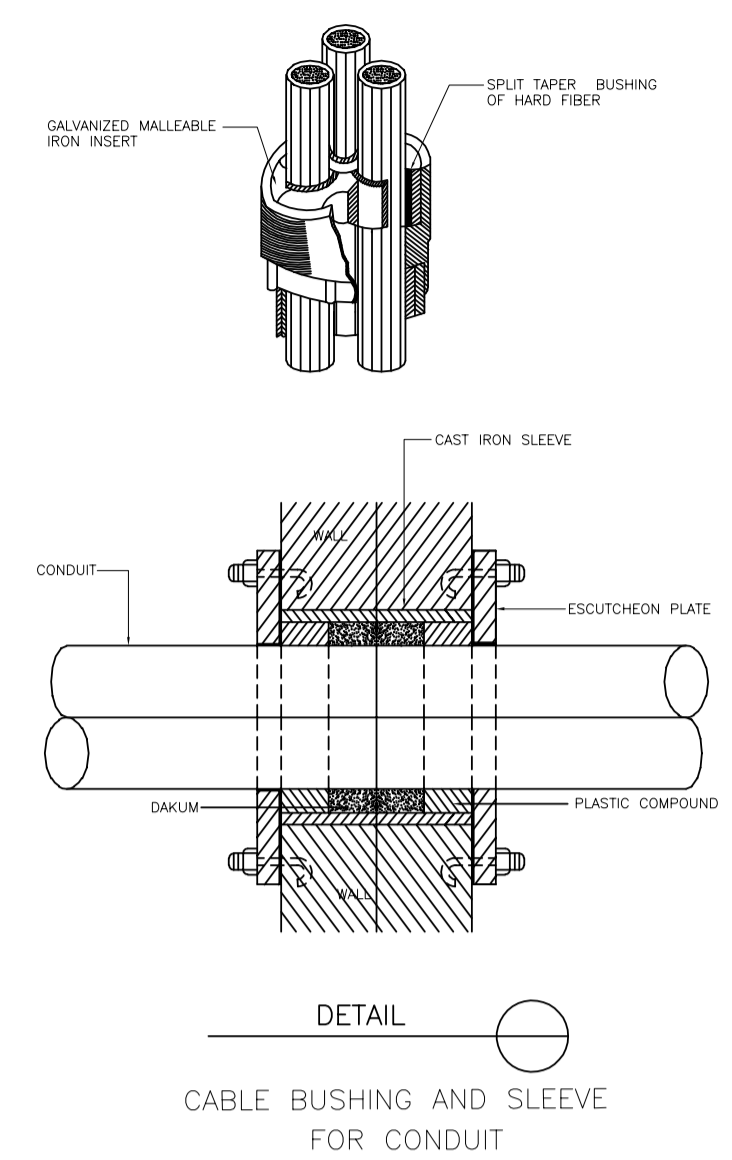
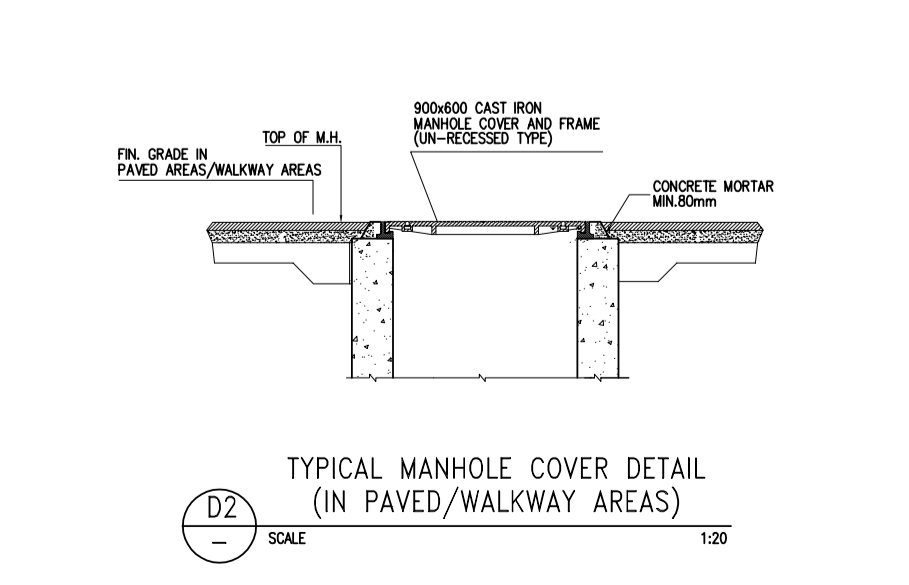
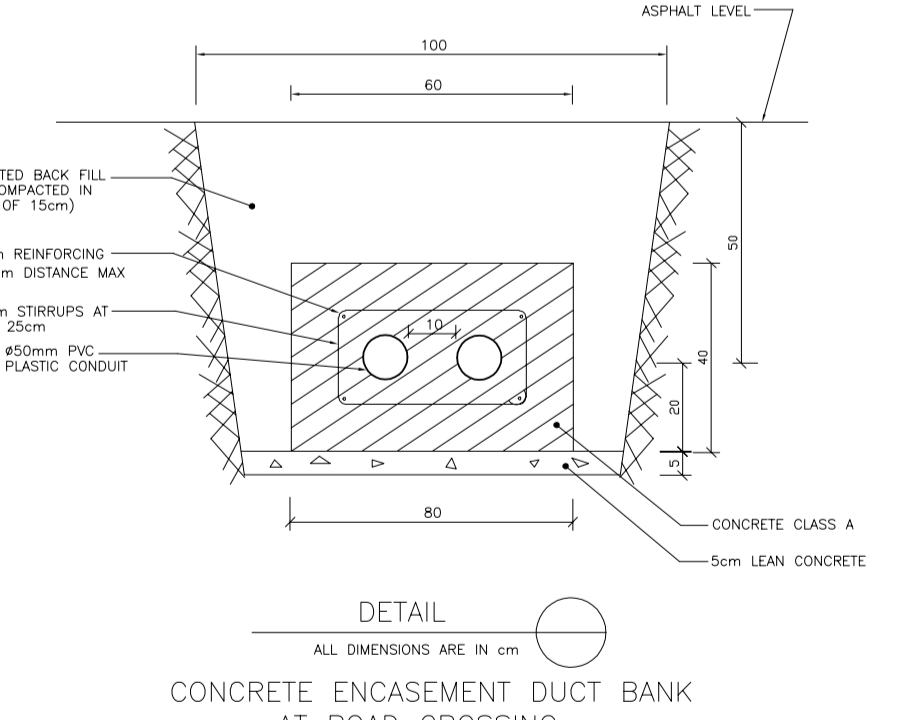
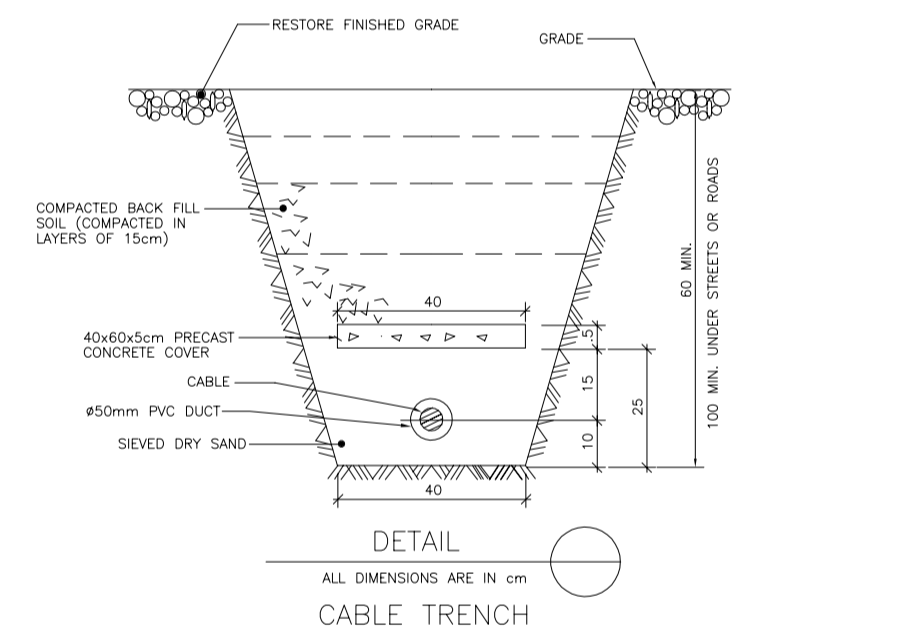
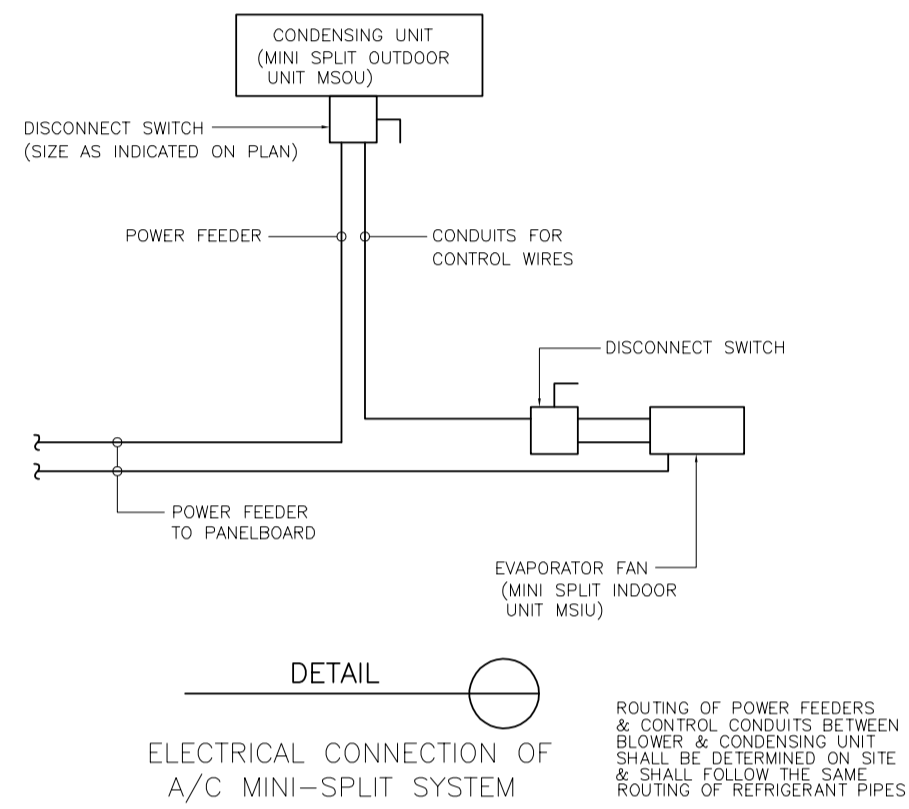
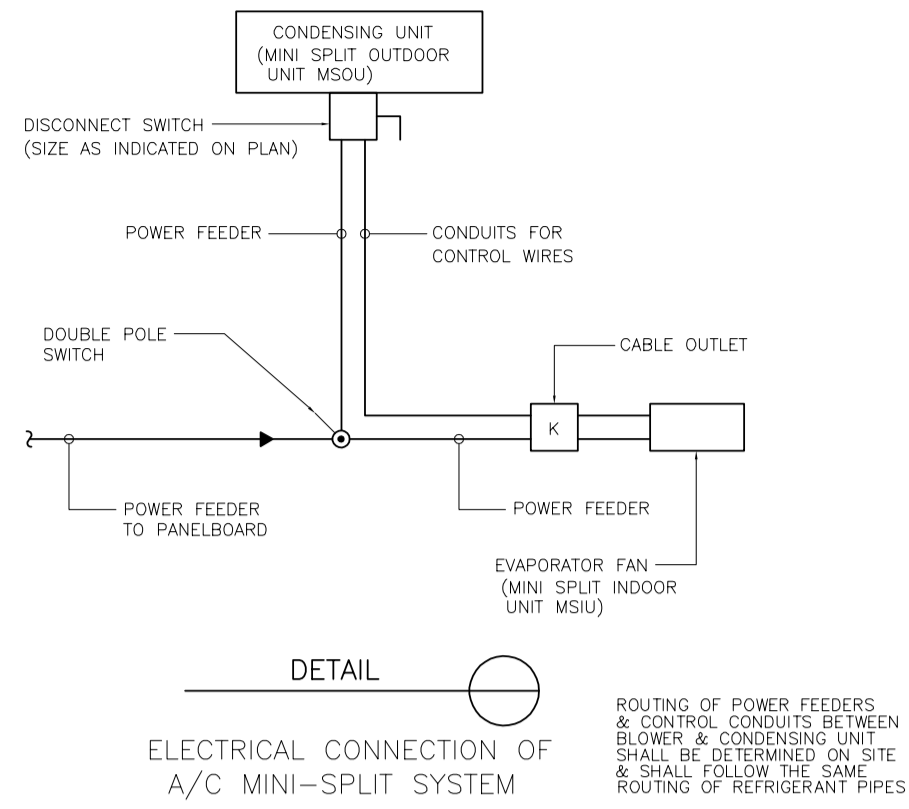


NOTES

1- FOR LIST OF DRAWINGS, LEGEND AND GENERAL NOTES REFER TO DWG. E001



NO.	REGION	APPD	DATE
CLIENT	الجمهورية اللبنانية مجلس الإنماء والإعمار		
CONSULTANT	Khatib & Alami consolidated engineering company S.A.L.		
PROJECT TITLE	CHHIM GOVERNMENTAL OFFICES BUILDING		
DRAWING TITLE	MISCELLANEOUS DETAILS		
DESIGNED	A.H.	DRAWING NO.	E002
CHECKED	H.L.	PROJECT NO.	BY151600
APPROVED	R.S.	FILE NAME	
SCALE	1:1	DATE	February 2016
DATE	February 2016	BY1516-EG-02	
APPROVED FOR CONSTRUCTION		SHEET NO.	
TENDER SUBMISSION			