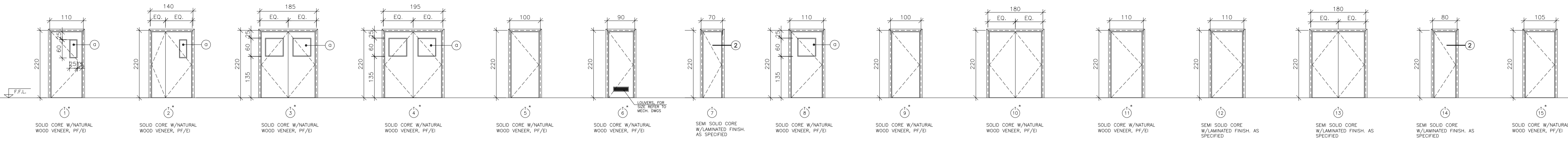
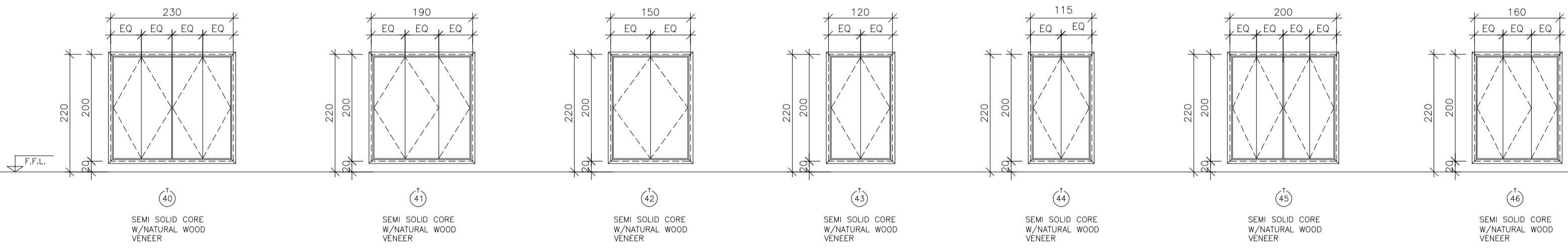


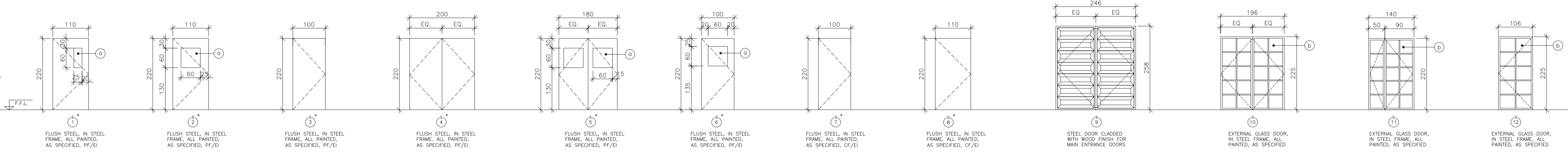
SCHEDULE OF TIMBER DOORS



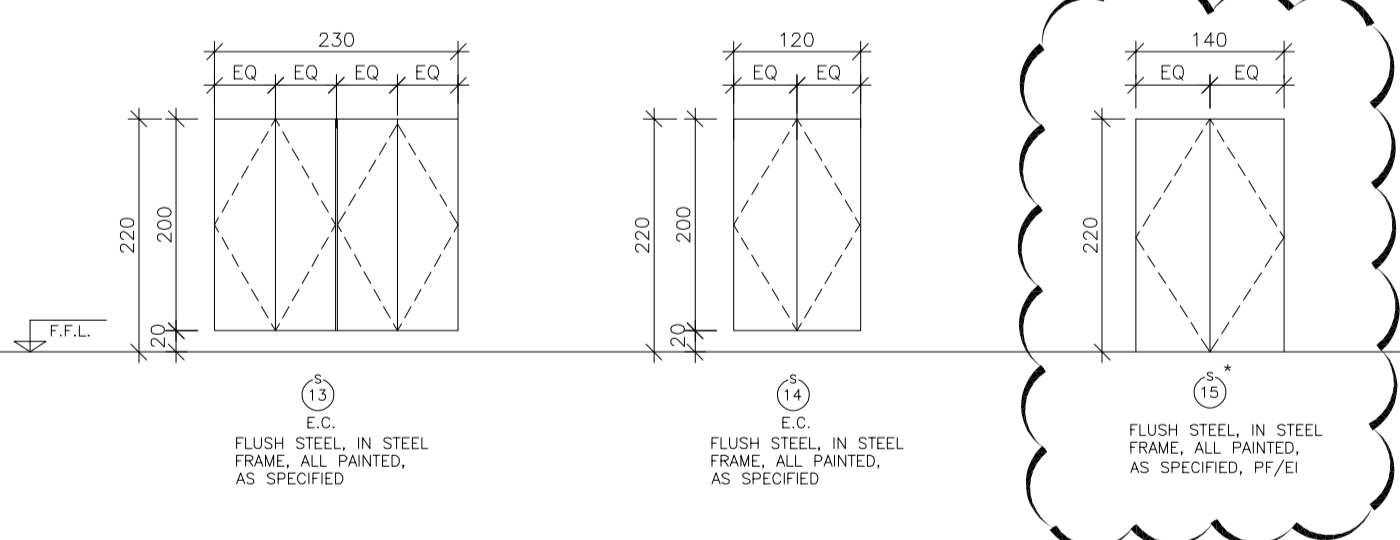
SCHEDULE OF TIMBER CLOSETS



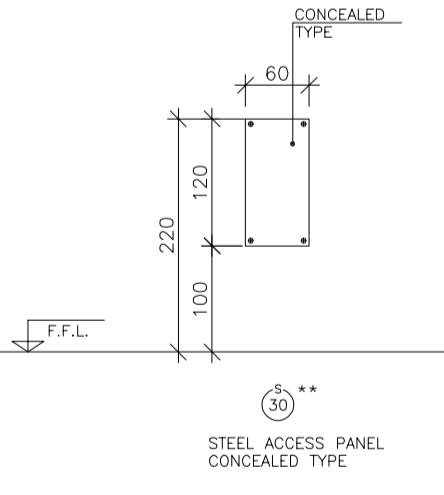
SCHEDULE OF STEEL OPENINGS



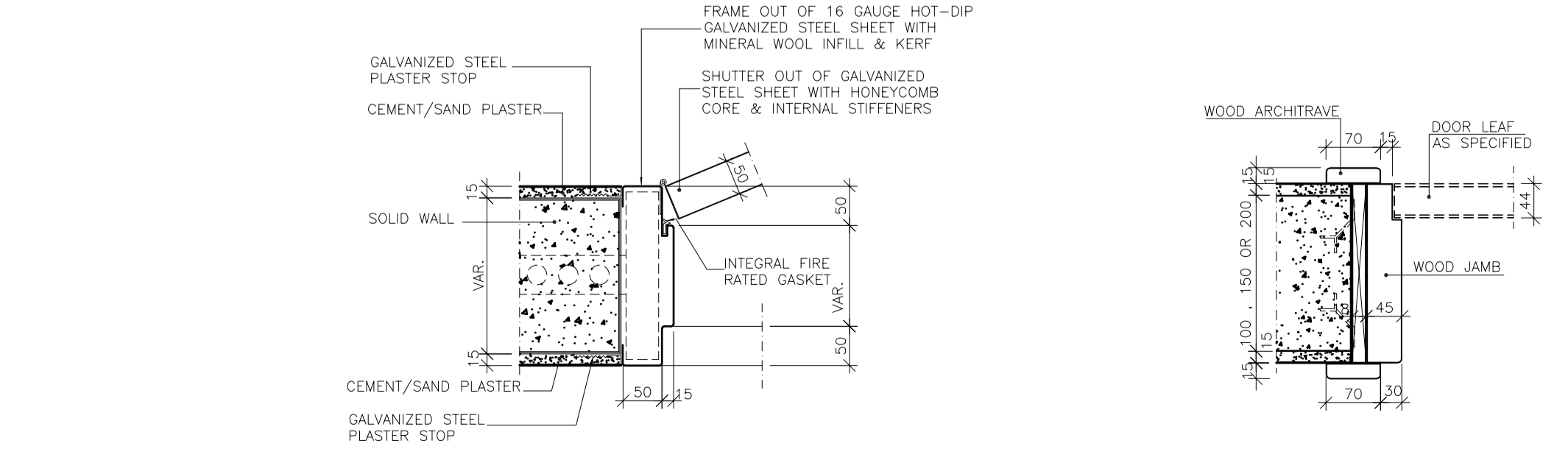
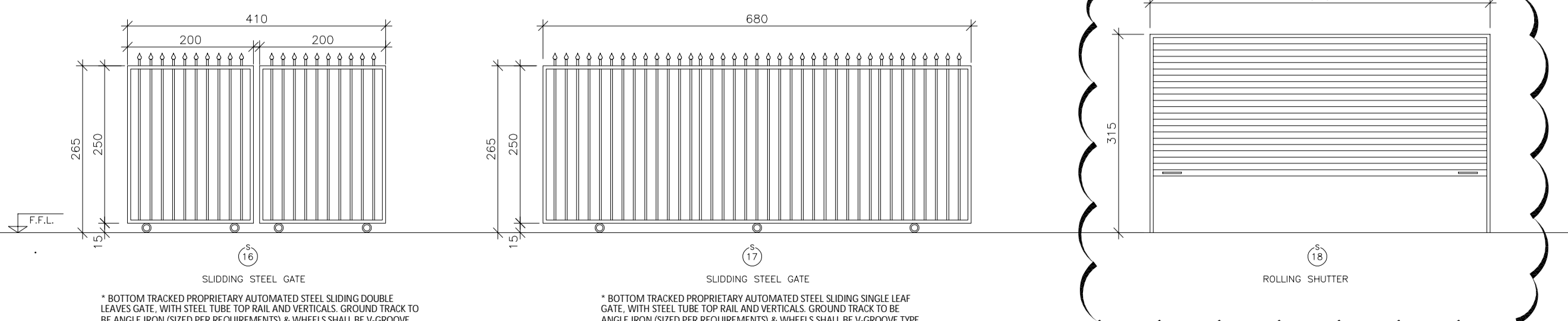
SCHEDULE OF STEEL OPENINGS



ACCESS PANELS



SCHEDULE OF STEEL OPENINGS



NOTES

- 1- FOR GENERAL NOTES, LEGEND, ABBREVIATIONS, SCHEDULES OF INTERNAL FINISHES REFER TO DRAWING # A001
 - 2- DRAWINGS SHALL NOT BE SCALED.
 - 3- ALL DIMENSIONS ARE IN CENTIMETERS.
 - 4- ALL LEVEL ARE IN METERS.
- NOTES:
- ALL DIMENSIONS INDICATED FOR TIMBER DOORS ARE OF STRUCTURAL OPENINGS, WHERE AS DIMENSIONS INDICATED FOR STEEL OPENINGS ARE FOR THE ACTUAL DOOR LEAF. CONTRACTOR SHALL VERIFY ALL DIMENSION ON SITE BEFORE MANUFACTURING.
 - COMPLETE AND COORDINATED SHOP DRAWINGS SHALL BE SUBMITTED FOR THE ARCHITECT'S REVIEW AND COMMENTS. SHOP DRAWINGS SHALL COVER ALL THE DETAILS RELATED TO THE DESIGN INTENTION AND PERFORMANCE OF EACH DOOR INCLUDING HARDWARE SETS.
 - FOR LEFT-HAND AND RIGHT-HAND DOOR SWING DIRECTION, REFER TO FLOOR PLANS. UNLESS OTHERWISE INDICATED.
 - HINGES & THICKNESS OF VISION PANELS (SIZE AS SHOWN ON DWGS.) OF FIRE RATED DOORS SHALL MEET THE REQUIREMENTS OF NFPA STANDARD, AS PER THE FIRE RATING INDICATED.
 - UNLESS OTHERWISE NOTED, ALL INTERIOR DOORS SHALL BE PROVIDED WITH 30mm THICK MARBLE THRESHOLDS TO ALL WET AREAS.
 - 6- 6MM THICK GORGAN WIREMESH GLASS.
 - 30 MIN FIRE RATED
 - 60 MIN FIRE RATED
 - TINTED DOUBLE GLAZED CLEAR GLASS PANELS.

DESIGNED	K. & A.	DRAWING No.	A700
DRAWN	L.S.H.	PROJECT No.	BY151600
CHECKED	H. JARRAH	DATE	17/02
APPROVED	H. JARRAH	FILE NAME	BY1516-AS-DWG-REV2
SCALE	1/20	DATE	February 2016
DATE	February 2016	BY	BY1516-AS-DWG-REV2
APPROVED FOR CONSTRUCTION		SHEET No.	

CONSULTANT
Khatib & Alami
 consolidated engineering company S.A.L.

PROJECT TITLE
CHHIM GOVERNMENTAL OFFICES BUILDING

DRAWING TITLE
TIMBER & STEEL OPENINGS SCHEDULE

TENDER SUBMISSION