

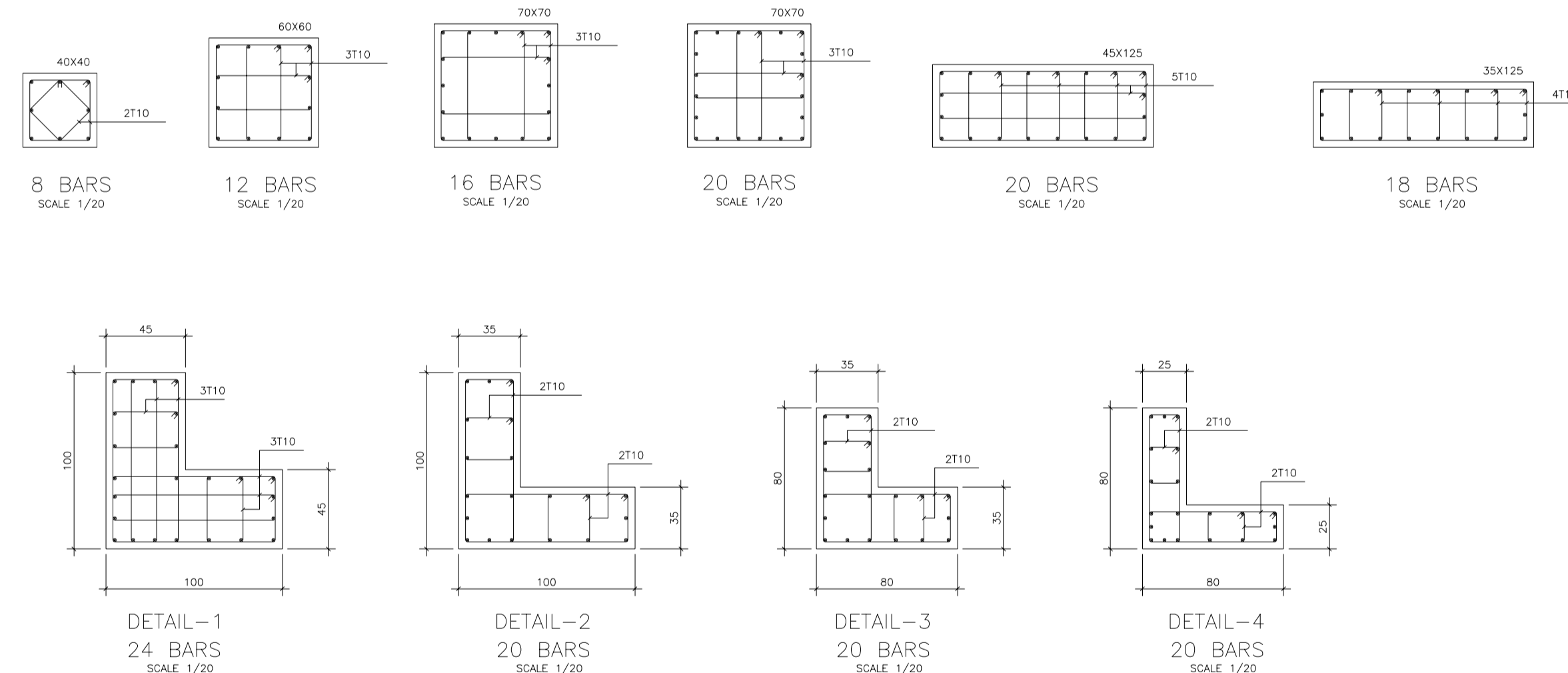
NOTES

1- FOR GENERAL NOTES AND STRUCTURAL DETAILS REFER TO DRWGS. NO. S000, S001, S002 & S003.

		SCHEDULE OF WALLS																													
REIN. BOTH FACES	FLOORS	(W1) t=40cm.		(W2) t=35cm.		(W3) t=35cm.		(W4) t=40cm.		(W4) t=35cm.		(W5) t=35cm.		(W6) t=40cm.		(W7) t=40cm.		(W8) t=30cm.		(W9) t=40cm.		(W9) t=30cm.		(W10) t=40cm.		(W10) t=30cm.		(W11) t=45cm.		(W11) t=30cm.	
		VERTICAL	HORIZONTAL	VERTICAL	HORIZONTAL	VERTICAL	HORIZONTAL	VERTICAL	HORIZONTAL	VERTICAL	HORIZONTAL	VERTICAL	HORIZONTAL	VERTICAL	HORIZONTAL	VERTICAL	HORIZONTAL	VERTICAL	HORIZONTAL	VERTICAL	HORIZONTAL	VERTICAL	HORIZONTAL	VERTICAL	HORIZONTAL	VERTICAL	HORIZONTAL	VERTICAL	HORIZONTAL	VERTICAL	HORIZONTAL
	ROOF	----	----	----	----	----	----	----	----	----	----	----	----	----	----	----	----	----	----	----	----	----	----	----	----	----	----	----	----	----	----
	3rd FLOOR	T20Ø15	T12Ø20	T16Ø15	T12Ø20	T20Ø15	T12Ø20	----	----	T14Ø15	T12Ø20	T25Ø15	T12Ø20	T16Ø15	T12Ø20	T20Ø15	T14Ø20	----	----	----	----	T14Ø15	T12Ø20	----	----	T16Ø15	T14Ø20	----	----	T16Ø15	T16Ø20
	2nd FLOOR	T20Ø15	T12Ø20	T16Ø15	T12Ø20	T16Ø15	T12Ø20	----	----	T20Ø15	T12Ø20	T25Ø15	T12Ø20	T20Ø15	T12Ø20	T20Ø15	T16Ø20	----	----	----	----	T20Ø15	T12Ø20	----	----	T20Ø15	T14Ø20	----	----	T20Ø15	T20Ø20
	1st FLOOR	T20Ø15	T12Ø20	T20Ø15	T12Ø20	T16Ø15	T12Ø20	----	----	T20Ø15	T12Ø20	T25Ø15	T12Ø20	T20Ø15	T16Ø20	T25Ø15	T20Ø20	----	----	----	----	T25Ø15	T16Ø20	----	----	T20Ø15	T14Ø20	----	----	T20Ø15	T20Ø20
	GROUND FLOOR	T25Ø15	T12Ø20	T20Ø15	T12Ø20	T20Ø15	T12Ø20	T20Ø15	T12Ø20	----	----	T25Ø15	T12Ø20	T25Ø15	T16Ø20	T25Ø15	T20Ø20	----	----	----	----	T25Ø15	T16Ø20	----	----	T25Ø15	T14Ø20	----	----	T25Ø15	T20Ø20
	1st BASEMENT	T25Ø15	T12Ø20	T20Ø15	T12Ø20	T20Ø15	T12Ø20	T20Ø15	T12Ø20	----	----	T25Ø15	T12Ø20	T25Ø15	T16Ø20	T25Ø15	T20Ø20	T16Ø15	T12Ø20	T25Ø15	T16Ø20	----	----	----	----	T25Ø15	T16Ø20	----	----	T25Ø15	T20Ø20
	2nd BASEMENT	T25Ø15	T12Ø20	T20Ø15	T12Ø20	T20Ø15	T12Ø20	T20Ø15	T12Ø20	----	----	T25Ø15	T12Ø20	T25Ø15	T16Ø20	T25Ø15	T20Ø20	T16Ø15	T12Ø20	T25Ø15	T16Ø20	----	----	----	----	T25Ø15	T16Ø20	----	----	T25Ø15	T20Ø20

		SCHEDULE OF WALLS																																	
REIN. BOTH FACES	FLOORS	(W12) t=40cm.		(W12) t=25cm.		(W13) t=30cm.		(W14) t=30cm.		(W15) t=30cm.		(W16) t=30cm.		(W17) t=30cm.		(W18) t=30cm.		(W19) t=30cm.		(W20) t=40cm.		(W20) t=30cm.		(W21) t=40cm.		(W22) t=40cm.		(W23) t=40cm.		(W24) t=50cm.		(W25) t=50cm.			
		VERTICAL	HORIZONTAL	VERTICAL	HORIZONTAL	VERTICAL	HORIZONTAL	VERTICAL	HORIZONTAL	VERTICAL	HORIZONTAL	VERTICAL	HORIZONTAL	VERTICAL	HORIZONTAL	VERTICAL	HORIZONTAL	VERTICAL	HORIZONTAL	VERTICAL	HORIZONTAL	VERTICAL	HORIZONTAL	VERTICAL	HORIZONTAL	VERTICAL	HORIZONTAL	VERTICAL	HORIZONTAL	VERTICAL	HORIZONTAL				
	ROOF	----	----	----	----	----	----	----	----	----	----	----	----	----	----	----	----	----	----	----	----	----	----	----	----	----	----	----	----	----	----	----			
	3rd FLOOR	----	----	T12Ø15	T12Ø20	T12Ø15	T12Ø20	T12Ø15	T12Ø20	T12Ø15	T12Ø20	T12Ø15	T12Ø20	T12Ø15	T12Ø20	T12Ø15	T12Ø20	T12Ø15	T12Ø20	T12Ø15	T12Ø20	----	----	T25Ø15	T12Ø20	T12Ø15	T12Ø20	T20Ø15	T12Ø20	----	----	T12Ø15	T14Ø20	T14Ø15	T14Ø20
	2nd FLOOR	----	----	T12Ø15	T12Ø20	T14Ø15	T12Ø20	T14Ø15	T12Ø20	T14Ø15	T12Ø20	T14Ø15	T12Ø20	T14Ø15	T12Ø20	T14Ø15	T12Ø20	T14Ø15	T12Ø20	T14Ø15	T12Ø20	----	----	T16Ø15	T12Ø20	T12Ø15	T12Ø20	T14Ø15	T12Ø20	----	----	T16Ø15	T14Ø20	T14Ø15	T14Ø20
	1st FLOOR	----	----	T16Ø15	T12Ø20	T20Ø15	T12Ø20	T16Ø15	T12Ø20	T16Ø15	T12Ø20	T16Ø15	T12Ø20	T16Ø15	T12Ø20	T16Ø15	T12Ø20	T16Ø15	T12Ø20	T16Ø15	T12Ø20	----	----	T16Ø15	T12Ø20	T16Ø15	T12Ø20	T14Ø15	T12Ø20	----	----	T20Ø15	T14Ø20	T20Ø15	T14Ø20
	GROUND FLOOR	----	----	T16Ø15	T12Ø20	T25Ø15	T12Ø20	T20Ø15	T12Ø20	T20Ø15	T12Ø20	T25Ø15	T12Ø20	T16Ø20	T12Ø20	T14Ø15	T12Ø20	T16Ø15	T12Ø20	T16Ø15	T12Ø20	----	----	T20Ø15	T12Ø20	T20Ø15	T12Ø20	T20Ø15	T12Ø20	----	----	T25Ø15	T14Ø20	T25Ø15	T14Ø20
	1st BASEMENT	T20Ø15	T12Ø20	----	----	T25Ø15	T12Ø20	T20Ø15	T12Ø20	T20Ø15	T12Ø20	T25Ø15	T12Ø20	T20Ø15	T12Ø20	T14Ø15	T12Ø20	T16Ø15	T12Ø20	T20Ø15	T14Ø20	----	----	T20Ø15	T12Ø20	T20Ø15	T12Ø20	T20Ø15	T12Ø20	T20Ø15	T12Ø20	T25Ø15	T14Ø20	T20Ø15	T14Ø20
	2nd BASEMENT	T20Ø15	T12Ø20	----	----	T25Ø15	T12Ø20	T20Ø15	T12Ø20	T20Ø15	T12Ø20	T25Ø15	T12Ø20	T20Ø15	T12Ø20	T14Ø15	T12Ø20	T16Ø15	T12Ø20	T20Ø15	T14Ø20	----	----	T20Ø15	T12Ø20	T20Ø15	T12Ø20	T20Ø15	T12Ø20	T20Ø15	T12Ø20	T25Ø15	T14Ø20	T20Ø15	T14Ø20

		SCHEDULE OF COLUMNS									
FLOOR NO	COLUMN NO	1	2	3	4	5	6	7	8	9	10
		ROOF	SECTION	---	---	---	---	---	---	---	---
	STEEL	---	---	---	---	---	---	---	---	---	---
3rd FLOOR	SECTION	70X70	70X70	60X60	35X125	DETAIL-2	DETAIL-4	60X60	60X60	----	----
	STEEL	16T20	20T20	12T25	18T20	20T20	20T16	12T20	12T20	----	----
2nd FLOOR	SECTION	70X70	70X70	60X60	35X125	DETAIL-2	DETAIL-4	60X60	60X60	----	----
	STEEL	16T20	20T20	12T20	18T20	20T20	20T16	12T20	12T25	----	----
1st FLOOR	SECTION	70X70	70X70	60X60	35X125	DETAIL-2	DETAIL-4	60X60	60X60	----	----
	STEEL	16T20	20T20	12T20	18T20	20T20	20T16	12T20	12T25	----	----
GROUND FLOOR	SECTION	70X70	70X70	60X60	35X125	DETAIL-2	DETAIL-4	60X60	60X60	40X40	----
	STEEL	16T20	20T20	12T20	18T20	20T25	20T20	12T20	12T25	8T25	----
1st BASEMENT	SECTION	70X70	70X70	70X70	45X125	DETAIL-1	DETAIL-3	70X70	70X70	40X40	70X70
	STEEL	16T20	20T20	16T20	20T20	24T20	20T20	16T20	16T20	8T25	16T20
2nd BASEMENT	SECTION	70X70	70X70	70X70	45X125	DETAIL-1	DETAIL-3	70X70	70X70	40X40	70X70
	STEEL	16T20	20T20	16T20	20T20	24T20	20T20	16T20	16T20	8T25	16T20



NO.	REVISION	APPROVED	DATE
CLIENT	الجمهورية اللبنانية مجلس الإنماء والإعمار		
CONSULTANT	كخطيب و علميا Khatib & Alami consolidated engineering company S.A.L.		
PROJECT TITLE	CHHM GOVERNMENTAL OFFICES BUILDING		
DRAWING TITLE	COLUMNS & WALLS SCHEDULES & DETAILS		
DESIGNED	D.N.	DRAWING NO.	S101
DRAWN	A.M.	PROJECT NO.	BY151600
COORDINATED	H.C.	FILE NAME	BY1516-S0-COL-01
CHECKED	F.K.	DATE	February 2016
APPROVED	F.K.	APPROVED FOR CONSTRUCTION	
SCALE	1/20	SHEET NO.	
TENDER SUBMISSION			